

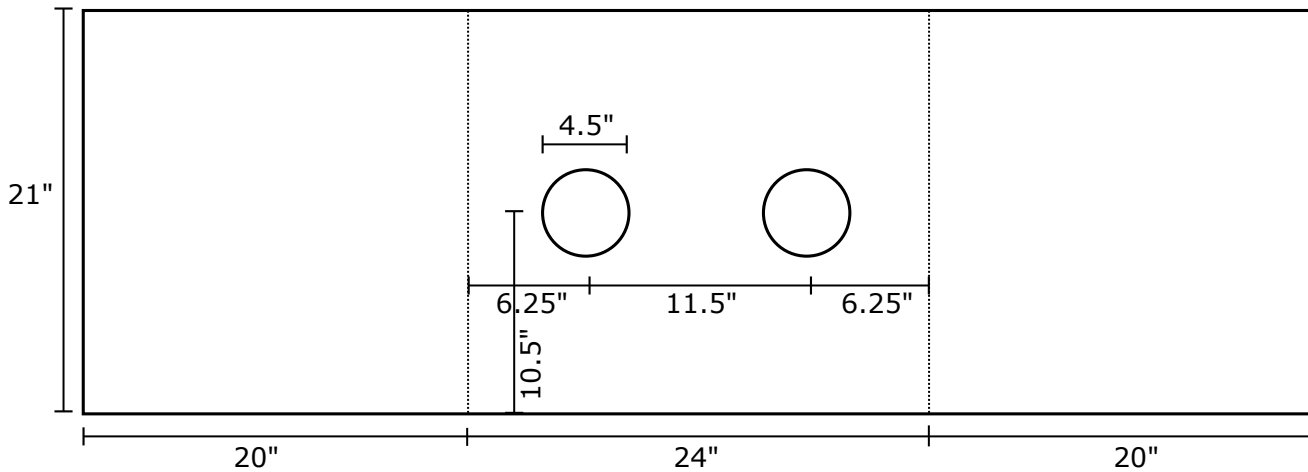
Intubation Shield

Designed by Dr. Reinier Von Tonder and Lior Trestman at MakeHaven

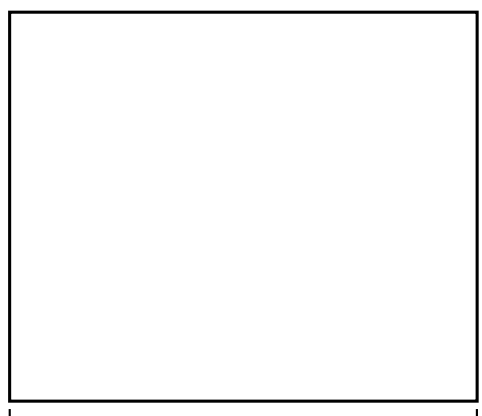
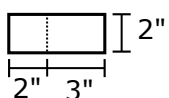
- Made with 1/4" plastic (PETG, Lexan, Polycarbonate, Acrylic)
- Can be bent or cut on dotted lines, pieces joined using Weld On 4



Front & Sides



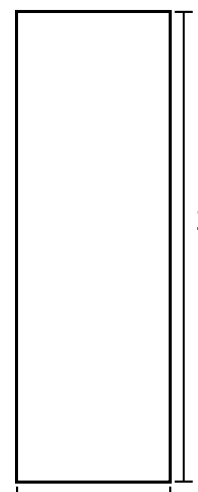
Legs (2x)



Top

20.25"

Bottom



24.5"

8"

24.5"